



Chris Weller
Christopher W. Weller

(334) 328-7808 : mobile
 chris.w.weller@icloud.com : email
 www.chrisweller.com : portfolio
 www.branch.technology : company
 www.linkedin.com/in/chrisweller : linkedin
 38801 Charles Town Pike, Waterford, VA, 20197 : address

curve appeal 3d printed home
chattanooga, tn / 2019 -



onecity pavilion
nashville, tn / 2018



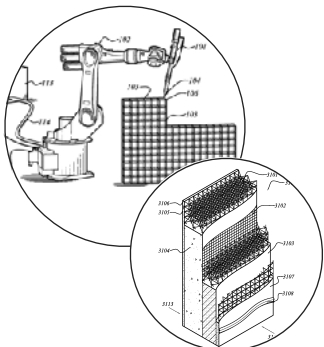
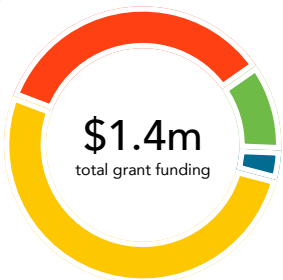
nature clouds
chicago, il / 2018



flotsam & jetsam
miami, fl / 2016



nasa centennial challenge
peoria, il / 2017



profile

I'm a designer and entrepreneur with a unique background at the intersection of additive manufacturing, engineering, startup operations, marketing, communications, intellectual property, and grant writing. I thrive in energetic environments and within ambitious creative teams that approach new challenges with curiosity, empathy, and a good sense of humor.

experience

research grant writer / one off engineering / chattanooga, tn (remote) / 2021

- custom robotic integration firm founded by a long-time friend and colleague from branch technology
- company working to develop a proprietary robotic 3d printing and milling hybrid system for broader market
- currently writing a grant application for \$250k in funding from the national science foundation sbir program

farm hand / black hops farm / lucketts, va / 2020

- one of the fastest-growing farm/breweries in the northern va region
- worked to restore crop fields and outdoor facilities that had been neglected during COVID-19 shutdowns
- sought out farm work to gain insight into the region's growing agri-business and agri-tourism economy

co-founder / branch technology / chattanooga, tn / 2014 — 2019

- one of 2 founders — grew business to 50 employees and \$10m+ in funding
- led technical development of industry-leading building-scale 3d printing technologies
- designed cad workflow for large-scale robotic 3d printing process
- successfully applied for 4 national science foundation grants and 2 united states patents (international pending)
- world record holder for largest spanning 3d printed structure
- won 1st place, \$250,000 in nasa's 3d printed habitat centennial challenge
- named #1 design innovator in hanley wood's housing, innovation, vision & economics top 100 innovators

intern architect / seay, seay, & litchfield architects / montgomery, al / 2013

- translated legacy design and construction drawings to bim models in autodesk revit
- detailed material schedules in autocad for educational and government facilities

education

university of virginia, charlottesville, va — bs in architecture, 2014

- diverse courseload covering architectural history, computer-aided design, digital fabrication, and engineering
- graduated in 3 years, including summer design studios in india and renovating local homes

volunteering

current / habitat for humanity / knights of columbus

previous / red cross / student conservation association / fellowship of catholic university students / albemarle housing improvement project

skills

design / rhino / grasshopper / revit / autocad / illustrator / photoshop

fabrication / additive manufacturing / extrusion / industrial robotics / 6 axis cnc / formwork / casting

platforms / macOS / windows / microsoft office / google suite / slack / squarespace

communications / technical writing / presentations / public speaking / marketing / conflict/crisis resolution

grants

national science foundation

- sbir phase iib / 2018 / additive manufacturing in construction / \$500,000
- sbir phase ii #1632267 / 2016 / additive manufacturing in construction / \$750,000
- sbir phase ib / 2015 / additive manufacturing in construction / \$50,000
- sbir phase i #1520482 / 2014 / additive manufacturing in construction / \$150,000

patents

- us 10,272,613 b2 (2013) / additive manufacturing of buildings and other structures / issued apr. 2019
- us 2017/0217088 a1 (2016) / cellular fabrication and apparatus for additive manufacturing / issued nov. 2019

awards

nasa 3d printed habitat challenge

1st place / phase ii level 3 / \$250k

hanley wood h.i.v.e. top 100

1st place / design innovation

association for robots in architecture

pioneering industry award

tenn startup master accelerator

traction award / \$60k

gigtank startup accelerator

investors' choice award

chattanooga chamber of commerce

spirit of innovation award

launch tn startup accelerator

business execution award

chattanooga startup awards

runner up / startup of the year

1st place / excellence in hardware

1st place / excellence in 3d printing

References

professional



R. Platt Boyd AIA, LEED AP

CEO/Founder, Branch Technology

mobile: (334) 224-9495 **email:** platt@branch.technology **linkedin:** [click for link](#) or scan QR code

Originally next door neighbors in Montgomery, AL where the business started, Platt and I cofounded Branch together and have worked closely for the past 5 years.



Christopher Bruce Hilbert Ph.D

Technical Team Lead, Computational Engineer

mobile: (423) 304-0088 **email:** bruce@branch.technology **linkedin:** [click for link](#) or scan QR code

Bruce is the head of the Software Team, where I was a primary contributor. We have worked together for the past 4 years.



Bob Batcheler

Technology Entrepreneur, Executive, and Business Development Coach

mobile: (603) 361-7600 **email:** bbatcheler@renewedfocus.com **linkedin:** [click for link](#) or scan QR code

"Batch" coached the Branch team as it began to seek private equity funding, and became a personal mentor who coached me in organizational and development strategies.



Melissa Goldman

Fabrication Facilities Manager, University of Virginia School of Architecture

mobile: (617) 733-5897 **email:** goldman@virginia.edu **faculty profile:** [click for link](#) or scan QR code

Melissa was among my undergraduate professors at UVa. After graduation, I have been a guest lecturer in her design research seminar and make myself available as a resource to her students on an ongoing basis.