



Chris Weller
Christopher W. Weller

(334) 328-7808 : mobile
chris.w.weller@icloud.com : email
www.chrisweller.com : portfolio
www.branch.technology : company
www.linkedin.com/in/chrisweller : linkedin
38801 Charles Town Pike, Waterford, VA, 20197 : address

curve appeal 3d printed home
chattanooga, tn / 2020



onecity pavilion
nashville, tn / 2018



nature clouds
chicago, il / 2018



flotsam & jetsam
miami, fl / 2016



nasa centennial challenge
peoria, il / 2017

profile

I'm a designer & entrepreneur with 5+ years of diverse experience as cofounder of a building technology startup, and I'm looking for a position as an architectural designer. My background encompasses architecture, design software, 3D printing, industrial robotics, research & development, grants, patents, marketing & fundraising, lean/agile management, and more.

I've worked with designers at firms such as SOM, Foster+Partners, SHoP, MIT, and Thornton Tomasetti on groundbreaking and fast-paced projects. I've also been recognized as a top innovator by NASA, Hanley Wood, and INC. magazine, and my work has been featured by the New York Times, Fortune, Forbes, CNN, PBS, Engineering News Record, Architect, and others.

experience

co-founder / branch technology / chattanooga, tn / 2014 — present

- one of 2 founders — grew business to 50 employees and \$10m+ in funding
- led technical development of industry-leading building-scale 3d printing technologies
- designed cad workflow for large-scale robotic 3d printing process
- successfully applied for 4 national science foundation grants and 2 united states patents (international pending)
- world record holder for largest spanning 3d printed structure
- won 1st place, \$250,000 in nasa's 3d printed habitat centennial challenge
- named #1 design innovator in hanley wood's housing, innovation, vision & economics top 100 innovators

intern architect / seay, seay, & litchfield architects / montgomery, al / 2013

- translated legacy design and construction drawings to bim models in autodesk revit
- detailed material schedules in autocad for educational and government facilities

education

university of virginia, charlottesville, va — bs in architecture, 2014

- diverse course load covering architectural history, computer-aided design, digital fabrication, and engineering
- graduated in 3 years, including summer design studios in india and renovating local homes

volunteering

current / habitat for humanity / knights of columbus / loudoun cares

previous / red cross / student conservation association / fellowship of catholic university students / albemarle housing improvement project

skills

design / rhino / grasshopper / revit / autocad / illustrator / photoshop

fabrication / additive manufacturing / extrusion / industrial robotics / 6 axis cnc / formwork / casting

platforms / macOS / windows / microsoft office / google suite / slack / squarespace

communications / technical writing / presentations / public speaking / marketing / conflict/crisis resolution

grants

national science foundation

- sbir phase iib / 2018 / additive manufacturing in construction / \$500,000
- sbir phase ii #1632267 / 2016 / additive manufacturing in construction / \$750,000
- sbir phase ib / 2015 / additive manufacturing in construction / \$50,000
- sbir phase i #1520482 / 2014 / additive manufacturing in construction / \$150,000

patents

- us 10,272,613 b2 (2013) / additive manufacturing of buildings and other structures / issued apr. 2019
- us 2017/0217088 a1 (2016) / cellular fabrication and apparatus for additive manufacturing / issued nov. 2019

awards

nasa 3d printed habitat challenge

1st place / phase ii level 3 / \$250k

hanley wood h.i.v.e. top 100

1st place / design innovation

association for robots in architecture

pioneering industry award

tenn startup master accelerator

traction award / \$60k

gigtank startup accelerator

investors' choice award

chattanooga chamber of commerce

spirit of innovation award

launch tn startup accelerator

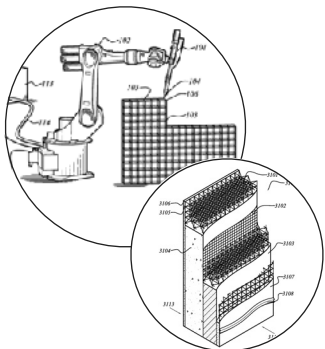
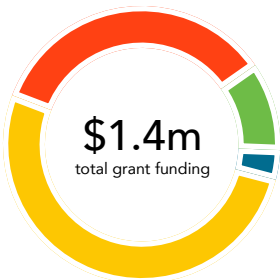
business execution award

chattanooga startup awards

runner up / startup of the year

1st place / excellence in hardware

1st place / excellence in 3d printing



References



R. Platt Boyd AIA, LEED AP

CEO/Founder, Branch Technology

mobile: (334) 224-9495 **email:** platt@branch.technology **linkedin:** [click for link](#) or scan QR code

Originally next door neighbors in Montgomery, AL where the business started, Platt and I cofounded Branch together and have worked closely for the past 5 years.



Christopher Bruce Hilbert Ph.D

Technical Team Lead, Computational Engineer

mobile: (423) 304-0088 **email:** bruce@branch.technology **linkedin:** [click for link](#) or scan QR code

Bruce is the head of the Software Team, where I was a primary contributor. We have worked together for the past 4 years.



Bob Batcheler

Technology Entrepreneur, Executive, and Business Development Coach

mobile: (603) 361-7600 **email:** bbatcheler@renewedfocus.com **linkedin:** [click for link](#) or scan QR code

"Batch" coached the Branch team as it began to seek private equity funding, and became a personal mentor who coached me in organizational and development strategies.



Melissa Goldman

Fabrication Facilities Manager, University of Virginia School of Architecture

mobile: (617) 733-5897 **email:** goldman@virginia.edu **faculty profile:** [click for link](#) or scan QR code

Melissa was among my undergraduate professors at UVa. After graduation, I have been a guest lecturer in her design research seminar and make myself available as a resource to her students on an ongoing basis.